

15 MINUTE TRAINING MODULE 004



LED WALL PACK



Why would you use an LED Wall Pack?

The Déluce Lighting LED Wall Packs are ideal for low level perimeter lighting. They give excellent light output with a wide degree of distribution.

They are constructed from Aluminium and Polycarbonate, so will tolerate impact from footballs or tennis balls for example, if located near sports or play areas.

This product has a great contemporary look and offers an emergency option ensuring the same units can be used across the entire site.



What advantages does the Wall Pack offer?

You could say the Déluce Lighting LED Wall Pack is 'time in a box!', because installers don't have to open the fitting for mounting or connection, as the mounting brackets are part of the casing and the unit is pre-wired with 1.5 metre of cable. This allows the installer to take the wiring through a wall, avoiding unsightly junction boxes on the exterior of buildings.

How can the Wall Pack be controlled?

Apart from the standard 'switch on' version, the Wall Pack can be controlled with a Photocell or a microwave sensor option. The 3 hour emergency version, which isn't available when using traditional discharge fittings, means that a standard uniform look can be achieved across the whole site/installation, when using multiple units.



Features:

- Aluminium housing with polycarbonate opal diffuser
- Fitted with 1.5m of cable
- Opal diffuser
- IP65 Rating
- Lumens = 2700
- Colour Temp = 5000±200K Daylight White LED
- 50,000 hours LED life
- Reduce maintenance - No lamp replacements
- Flicker-free operation
- Photocell, microwave sensor, 3 hour emergency and 3 hour emergency + Photocell options



...lighting your world

Tel: 01302 769966

Where would you use the Wall Pack?

- Schools
- Hospitals
- Commercial buildings
- CCTV
- Pathways
- Access areas
- Car parking

Is the Wall Pack energy saving?

The Déluce Lighting LED Wall Pack is only 30W and will easily replace a 70W Sodium discharge fitting, saving up to 65% in energy. The long life also ensures savings on maintenance will be achieved.

Energy savings?

		Total Watts Per Fitting	Kilowatts Consumed	Cost Per kWh	Cost Per Hour	Total Hours Used	Total Cost Per Fitting	Number of Fittings	Cost Per Day	Per Year (365 Days)
Existing Fittings	70W SON Wall Pack	86	0.0.86	£0.12	£0.0103	12	£0.12	100	£12.38	£4,520.16
Proposed Fittings	30W LED Wall Pack	32	0.032	£0.12	£0.0038	12	£0.05	100	£4.61	£1,681.92
Proposed Savings Per Year									£2,838.24	
Total Fitting Cost									£6,000.00	
Payback in Years									2.11	

POS Display available



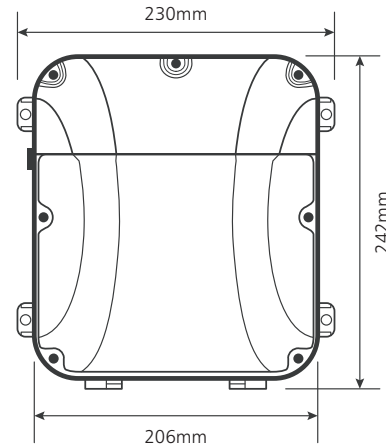
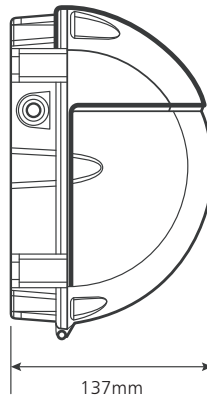
...lighting your world

Tel: 01302 769966



What's in the Déluce Lighting Wall Pack Range?

Product Code	Watts	Lumens	Description	Weight	Colour Temperature
DLLEDSWP30	30W	2700	Standard model	2.0Kg	Daylight White (5000±200K)
DLLEDSWP30PC	30W	2700	Photocell model	2.1Kg	Daylight White (5000±200K)
DLLEDSWP30S	30W	2700	Microwave Sensor model	2.1Kg	Daylight White (5000±200K)
DLLEDSWP30E3	30W	2700	3 Hour Emergency model	2.5Kg	Daylight White (5000±200K)
DLLEDSWP30PCE3	30W	2700	Emergency + Photocell model	2.6Kg	Daylight White (5000±200K)



Notes:

.....

.....

.....

.....

.....

.....

.....

.....

.....

.....

.....

.....

.....

.....

.....

.....

.....

.....

.....

.....

.....

.....

.....



...lighting your world

Tel: 01302 769966