

15 MINUTE TRAINING MODULE 005



DOME 2 LED BULKHEAD



What is the Dome 2?

The Déluce Lighting Dome 2 is an LED Bulkhead with a twist and lock diffuser trim. It's an ideal replacement for the traditional 2D fluorescent fittings.



What are the advantages of the Dome 2?

The Dome 2 offers colour temperature changing options, between Warm White (3000K), Cool White (4000K) and Daylight (6000K). This offers end users great flexibility and combined with corridor function, microwave sensor and emergency versions, the Dome 2 is the complete solution when replacing 2D installations. The cover is twist and lock, making access to the colour changing switch simple and easy (see Fig 1 below).

What is the Corridor Function?

The microwave corridor function allows the user to preset the bulkhead to operate with dimming options. If the user walks into the microwave sensor range, the light will illuminate at 100% output and when they leave the sensor range the light can be set to dim to 10% of output and then time out and switch off completely, or if required stay at 10% until re-activated. This function is ideal for Care homes, Hospitals, Hotels and Apartments.



How is the colour change achieved?

To change the colour output of the Dome 2 you simply twist off the cover and set the small dip switches on the LED plate to the desired setting, according to the instruction manual. The fitting will then stay in the colour temperature chosen until changed at a later date to suit - see example Fig 1 here.

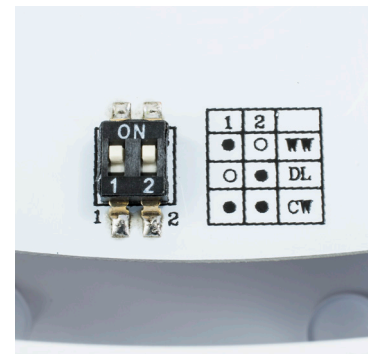


Fig 1
Switch set to Cool White



...lighting your world

Tel: 01302 769966

How is the Microwave Sensor adjusted?

The Microwave Sensor is set using the dip switches shown in Fig. 2

It is recommended that these units be mounted at 2 to 3.5 metres.

Dip switches 1 and 2 determine the DETECTION AREA, which has a motion detection range of up to 6 metres and a diameter of 16 metres from the fitting. The range can be adjusted to 10%, 50%, 75% and 100%.

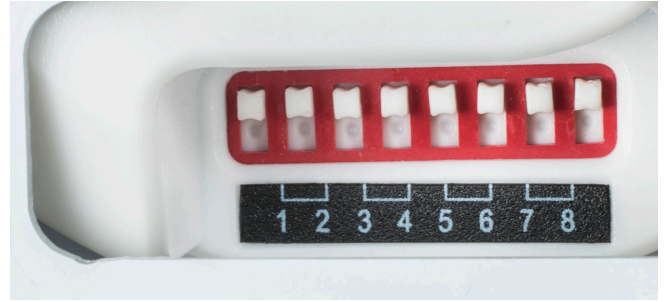


Fig 2
Sensor Dip Switches

Dip switches 3 and 4 sets the HOLD TIME, which is the time the fitting remains ON when no motion is detected, this can be adjusted to 90 seconds, 5 minutes or 10 minutes. A walk test mode is also available which is useful when installing the unit to establish correct operation and range.

Dip switches 5 and 6 is the DAYLIGHT SENSOR, which holds off the 100% light output should there sufficient daylight. The following settings are available: photocell disabled, 50 lux twilight operation, 15 lux twilight operation and 5 lux darkness operation only.

Finally dip switches 7 and 8 control the CORRIDOR FUNCTION, This setting determines how long the fitting should operate at 10% output after the hold time. It can be set to 0 seconds, 30 seconds, 10 minutes and +∞ (Infinity). Please Note: Setting at 0 seconds disables this function; setting at +∞ leaves it permanently at 10% output until activated again.

For full details on the Microwave Sensor adjustment please check the instructions that come with the Dome 2.

Can the Standard Dome 2 be operated with Remote PIRs and Microwave Sensors?

Yes, The Dome 2 Standard model is LED, so is perfect for operation with remote motion sensors. The LED gives instant light and will not be affected by regular switching, unlike a 2D or Fluorescent fixture. Fitting LED will reduce maintenance and lamp replacements, saving the end user large costs and loss of light in key areas when the lamp or tube needs replacing.

Is the Dome 2 classed as energy saving?

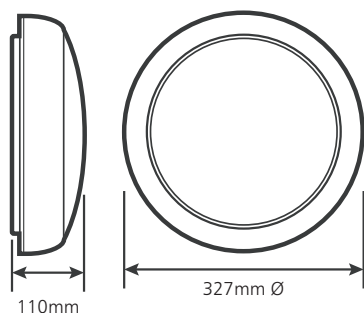
Yes, the Dome 2 is LED and will save up to 65% in power consumption, saving money in energy and maintenance.

Energy savings?

		Total Watts Per Fitting	Kilowatts Consumed	Cost Per kWh	Cost Per Hour	Total Hours Used	Total Cost Per Fitting	Number of Fittings	Cost Per Day	Per Year (365 Days)
Existing Fittings	38W 2D Bulkhead	49	0.049	£0.12	£0.0059	12	£0.07	100	£7.06	£2,575.44
Proposed Fittings	Dome 2 16W LED Bulkhead	16	0.016	£0.12	£0.0019	12	£0.02	100	£2.30	£840.96
Proposed Savings Per Year										£1,734.48
Total Fitting Cost										£1,800.00
Payback in Years										1.04

What's in the Déluce Lighting Dome 2 Range?

Product Code	Description	Colour Temp
DLDOME16CC	16W Standard fitting	3000, 4000 or 6500±200K
DLDOME16CCE3	16W Standard fitting + E3	3000, 4000 or 6500±200K
DLDOME16SCC	16W Microwave sensor fitting	3000, 4000 or 6500±200K
DLDOME16SCCE3	16W Microwave sensor + E3	3000, 4000 or 6500±200K

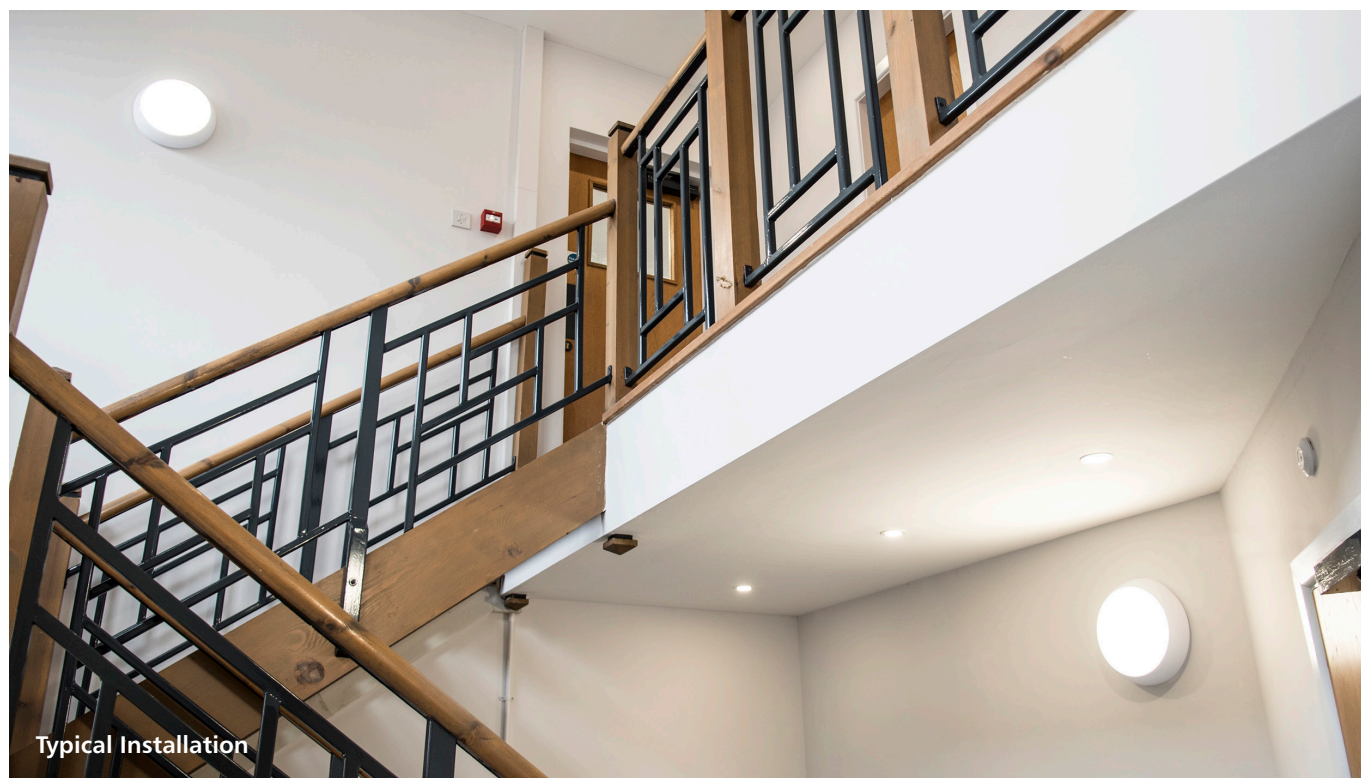


Features:

- Polycarbonate white body
- IP54
- Screwless "Twist & Lock" cover
- 3 year warranty
- 3 hours emergency option available
- 35,000 hours LED Life
- Standards: IEC/EN60598-1 & IEC/EN60598-2-22
- Emergency options available
- Microwave sensor (with corridor function) available, (allowing fitting to dim to 10% and time-out if required)
- Lumens = 1550 - 1600 Warm White
= 1600 - 1650 Cool White
= 1650 - 1700 Daylight White

Where would you use the Dome 2?

- Schools
- Hospitals
- Stairwells
- Corridors
- Toilets
- Bathrooms
- Changing Rooms
- Care Homes



Typical Installation



...lighting your world

Tel: 01302 769966